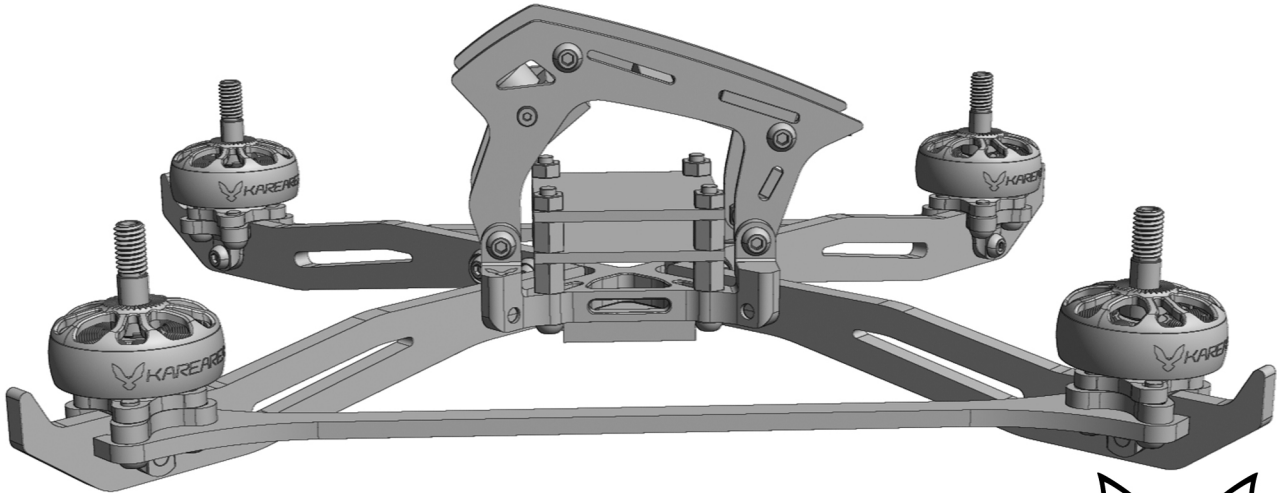


KAREAREA RD-065 TALON (PR) SVX 220 INSTRUCTION MANUAL

KAREAREA RD-065 TALON **PR** SVX 220 (Pure **R**acing, Stretched **V**ertical **X**)

Features:

- The KAREAREA TALON PR is a 220mm class FPV racer for 5" propellers using its own uniquely designed light weight monocoque chassis.
- The uniquely designed shape of the Talon PR's arm ends work as bumpers to absorb impacts and protect the motors during a crash.
And **Optimized C.G** combined with **lowered position vertical arms** provides superior handling performance at high speed and cornering.
- Monocoque type side plates which helps protecting CCD camera. (**Narrower body than normal Talon for better aerodynamics**) also centered **Uni-body aluminum structure for better rigidity and C.G. 10% lighter and at least 50% more rigid than normal Talon.**
- Light weight frame set **weights 90 g (+, - 1g), including hardware.**
- **Redesigned VTX antenna placement for enhanced protection during the crashes.**
- All aluminium parts are made from **7075 T6 AERO GRADE** with hard anodizing except Stand offs and nuts.
- **FULL 3K JAPAN TORAY T700 grade** Plane matte Carbon Fibre plate .
- Stretched X-frame. The distance between the motors is 220mm (diagonally, measured from centre to centre of motors).
- **ONLY Compatible with MICRO FPV cameras.** (19 mm CCD cams) Such as RunCam micro and Foxeer Predator micro cameras.
- Action Cameras can be mounted (e.g. GoPro, Run Cam) by using optional 3D printed camera mount. (Not included).



KAREAREA
QUALITY DRONES




Designed in New Zealand

(kareareadrone.com)





KAREAREA DRONES Facebook Group

PARTS LIST



NYLON BOLTS & NUTS

-  BOLTS M3 X 10 QTY 4
-  NUTS M3 QTY 4
-  STAND OFFS QTY 8


CARBON STEEL BOLTS

-  M3 X 6 QTY 8
-  M3 X 8 QTY 8
-  M3 X 10 QTY 4
-  M3 X 12 QTY 2

ALUMINUM NUTS & WASHERS

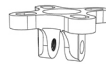
-  M3 SELF LOCK NUT QTY 4
-  M3 COUNTER SUNK WASHER QTY 8

ALUMINIUM STAND OFFS

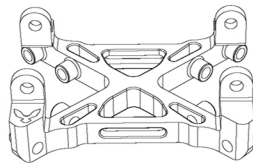
-  M3 X 20 6061 T6 QTY 2



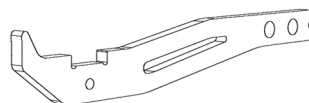
CNC 7075 T6 ALU/ ARM SUPPORT WASHER / QTY 2



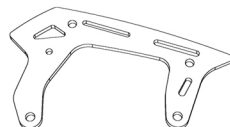
CNC 7075 T6 ALU/ MOTOR MOUNT / QTY 4



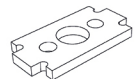
CNC 7075 T6 ALU/ FRAME / QTY 1



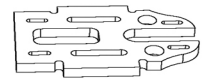
ARM PLATE T4.0 / QTY 4



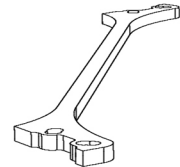
SIDE PLATE T2.0 / QTY2



VTX ANTENNA MOUNT / QTY 1



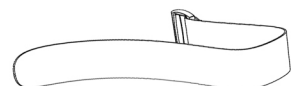
TOP PLATE T2.0 / QTY 1



TORQUE STRUT BAR T3.0 / QTY 2

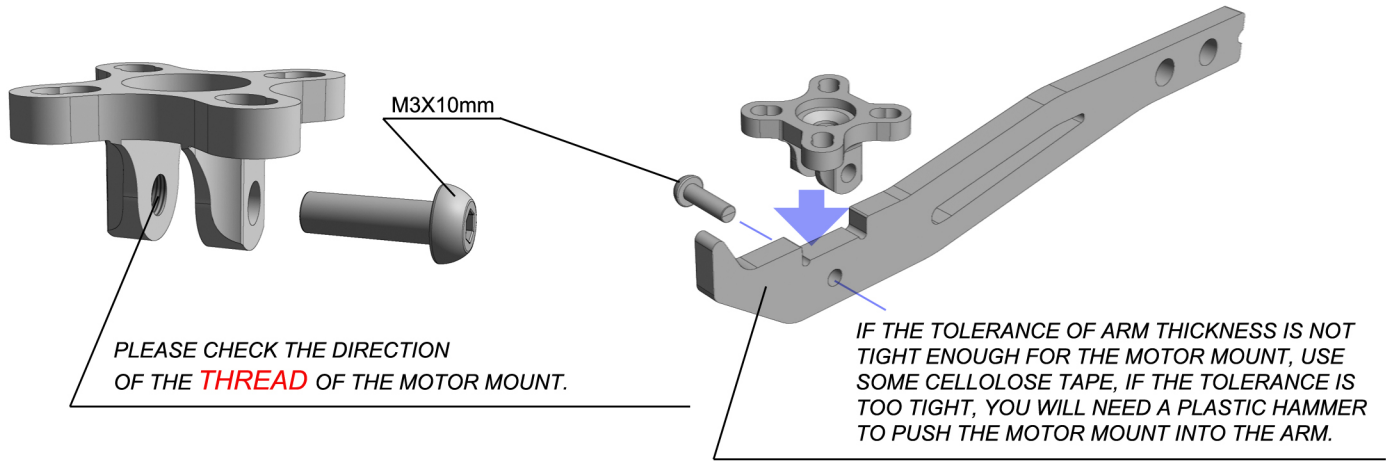


HIGH GRIP PU BATTERY PAD T4.0 / QTY 1



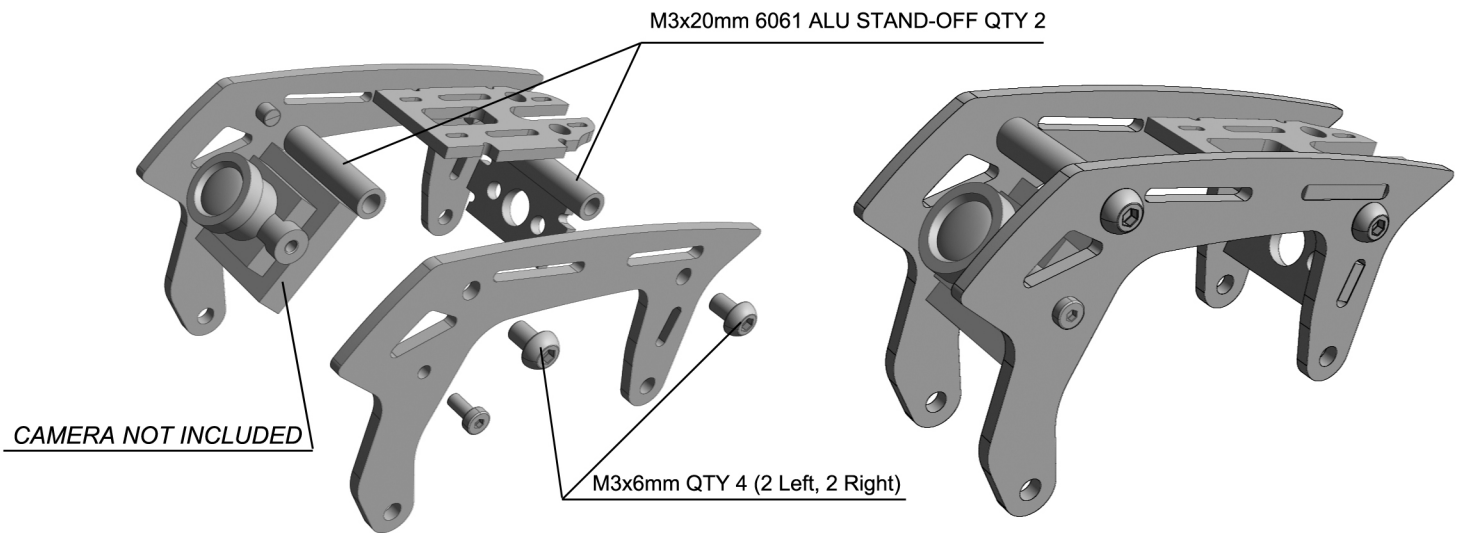
HIGH STRENGTH METAL BUCKLE WITH KEVLAR STRAP 16mm X 255mm / QTY 1

1 MOTOR MOUNT and ARM ASSEMBLY.

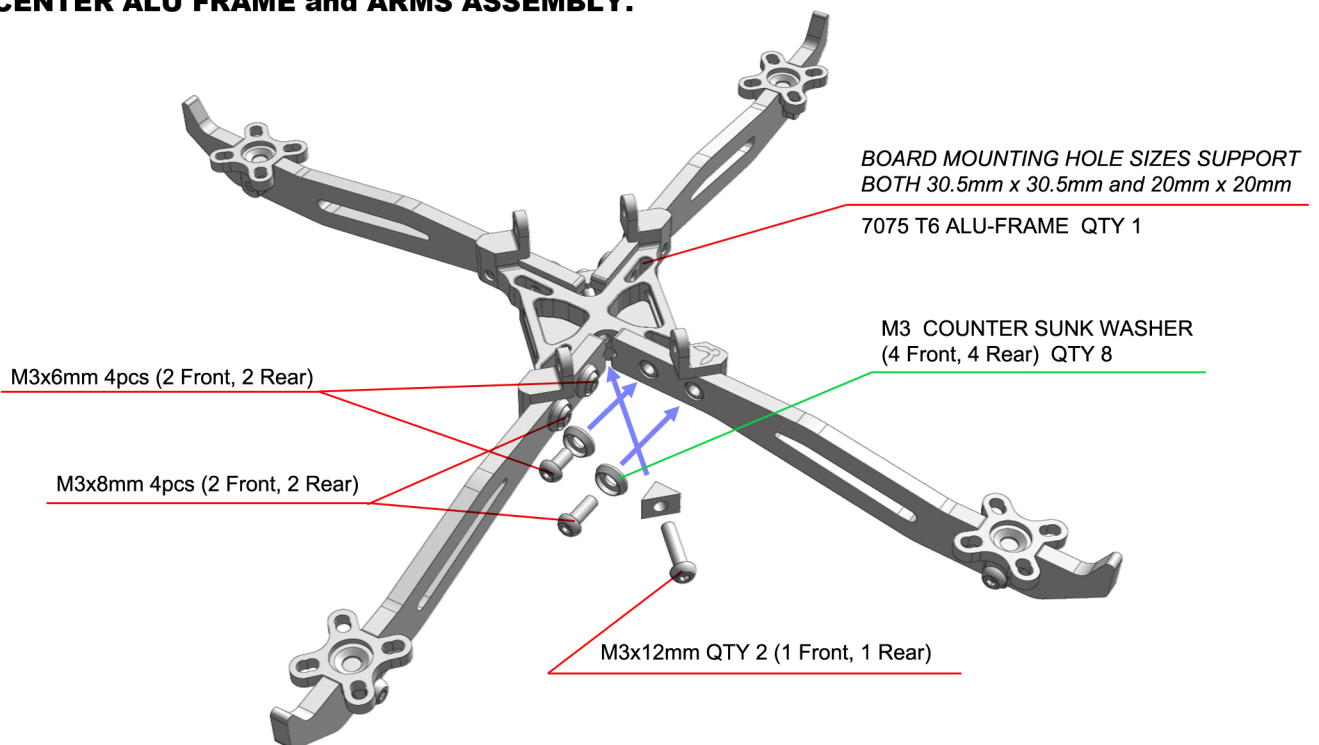


!! PLEASE USE LOCTITE TO SEAL AND RETAIN ALL BOLTS.

2 SIDE PLATES and TOP PLATE ASSEMBLY.

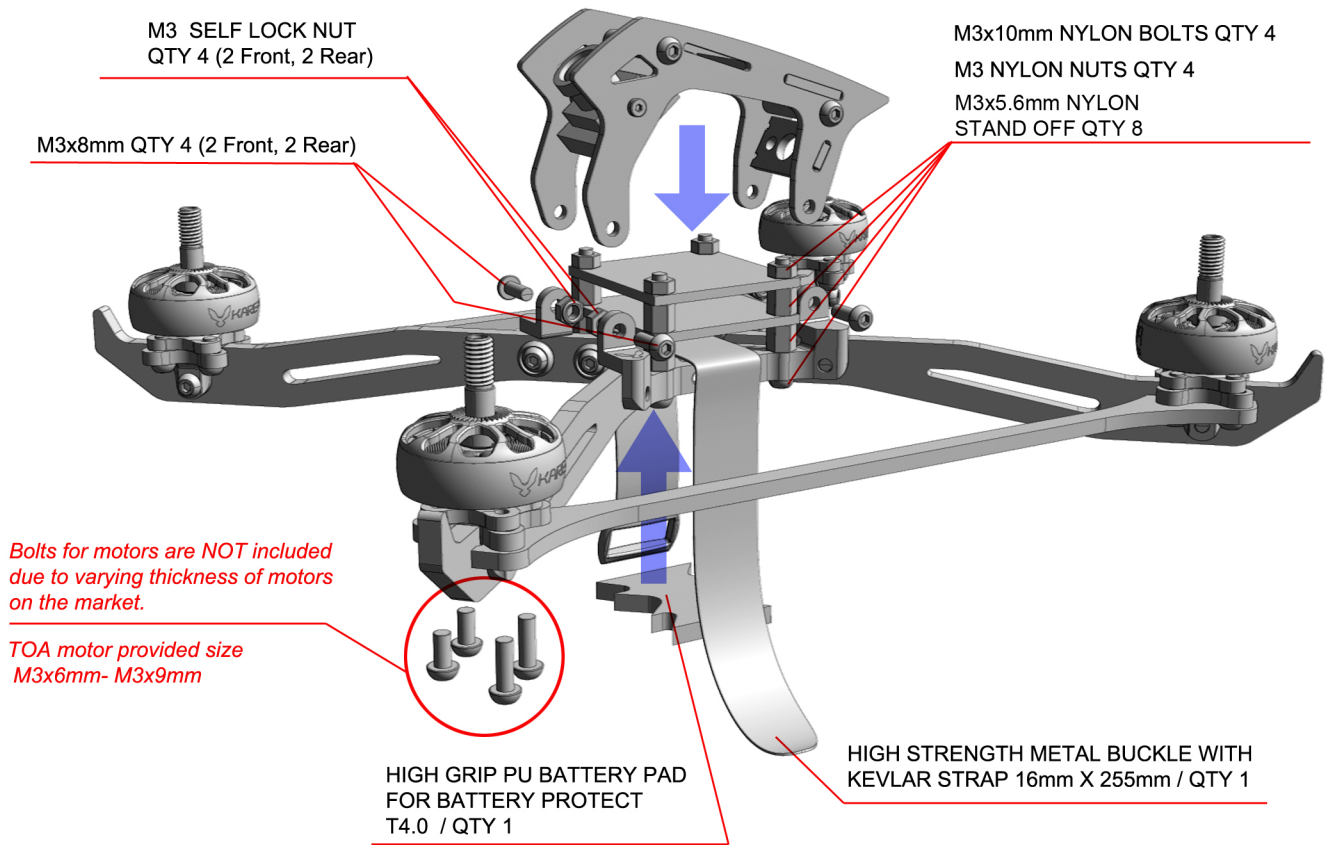


3 CENTER ALU FRAME and ARMS ASSEMBLY.



!! MUST USE LOCTITE TO SEAL AND RETAIN ALL BOLTS.

4 MAIN PLATE and ALUMINUM FRAME ASSEMBLY.



5 DONE~! Enjoy your TALON PR.

