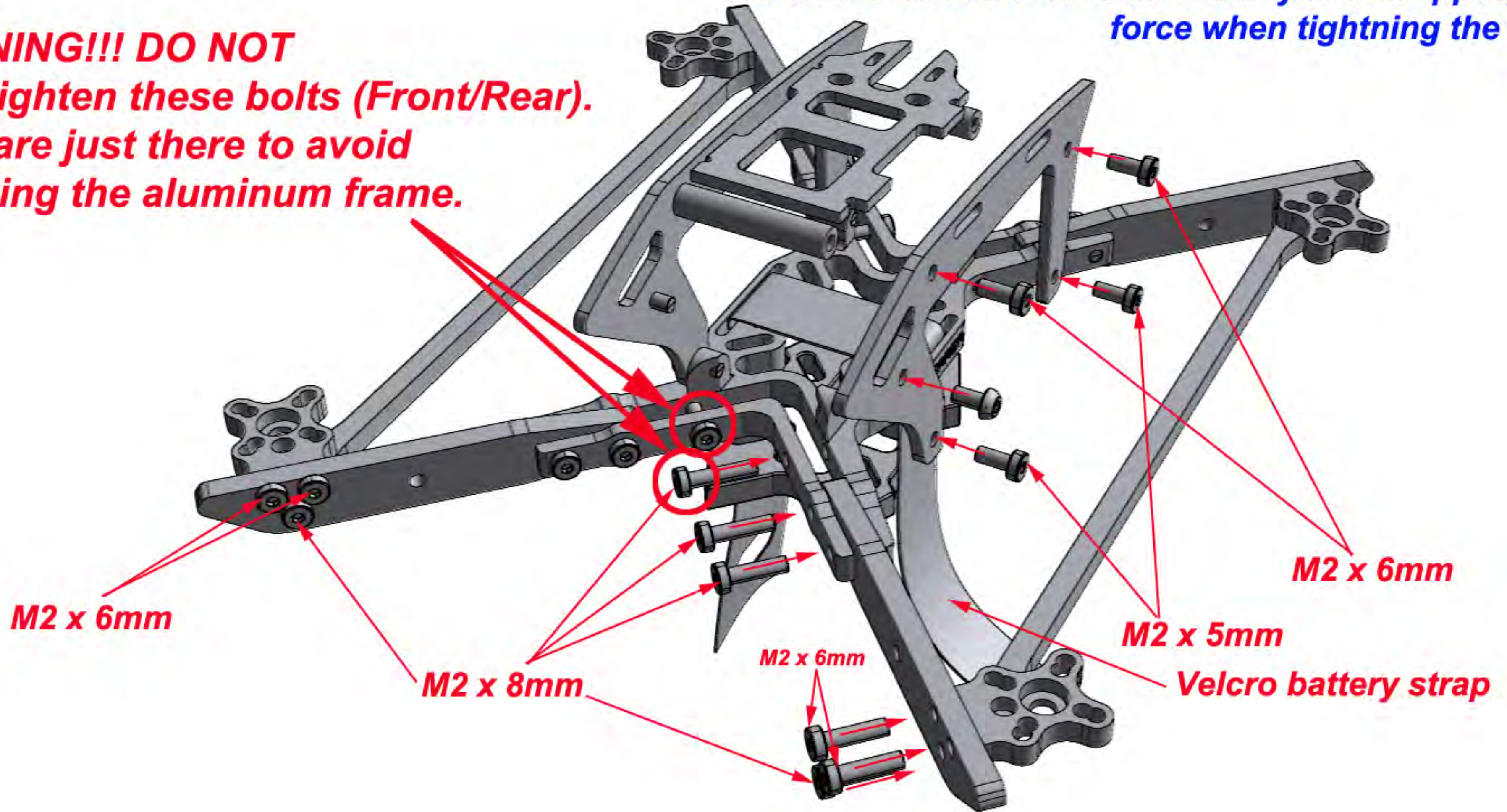


RD-053 TITI 3" PROPS MODE

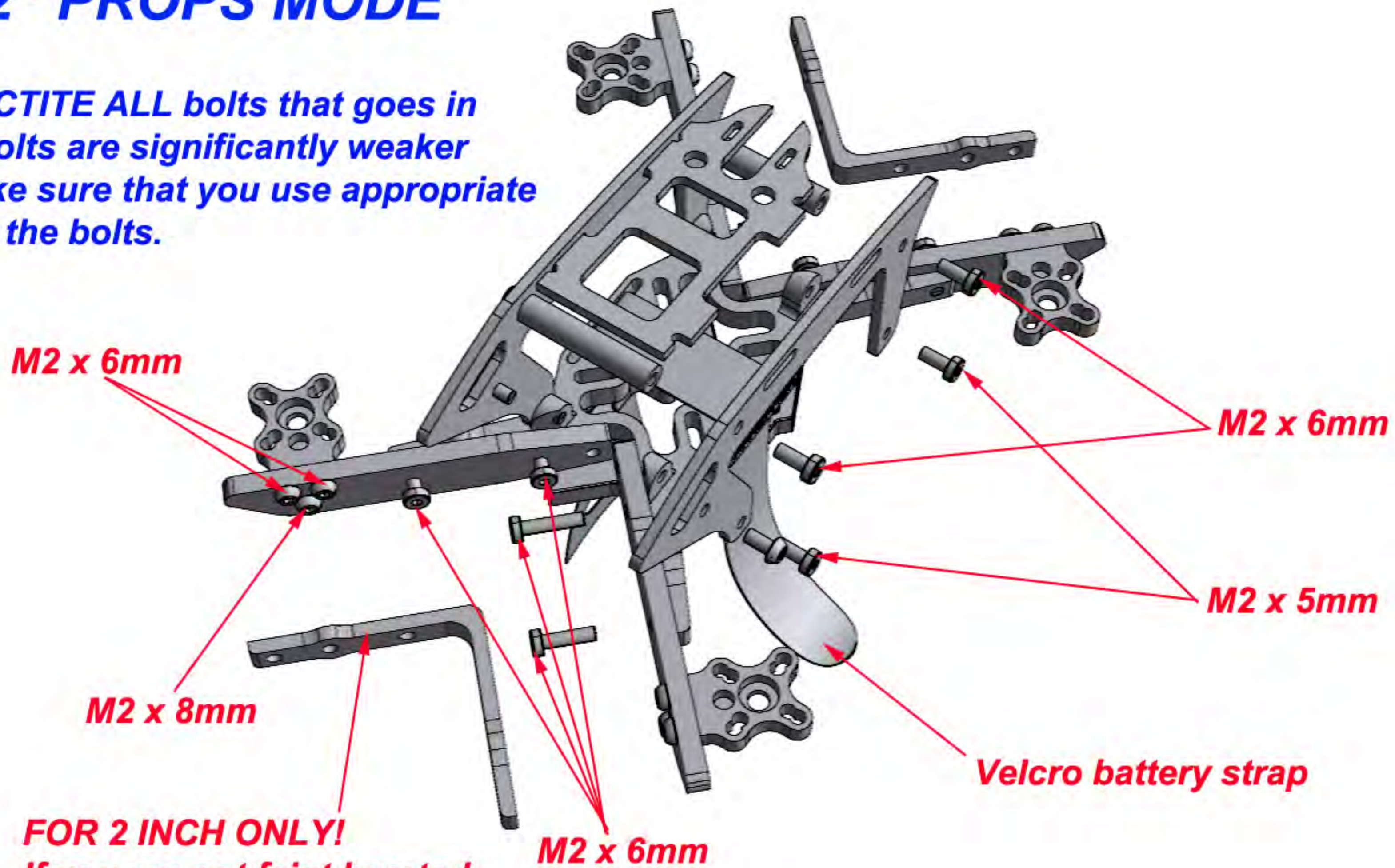
MAKE SURE you **LOCTITE ALL** bolts that goes in this frame, M2 size bolts are significantly weaker than M3 bolts so make sure that you use appropriate force when tightning the bolts.

WARNING!!! DO NOT over tighten these bolts (Front/Rear). They are just there to avoid tweaking the aluminum frame.



RD-053 TITI 2" PROPS MODE

MAKE SURE you **LOCTITE ALL** bolts that goes in this frame, M2 size bolts are significantly weaker than M3 bolts so make sure that you use appropriate force when tightening the bolts.



FOR 2 INCH ONLY!
If you are not faint hearted,
you may take this aluminum
off to reduce weight 2g (sacrifices durability)